

Assembly Instructions -6Ft-

Tools Needed:

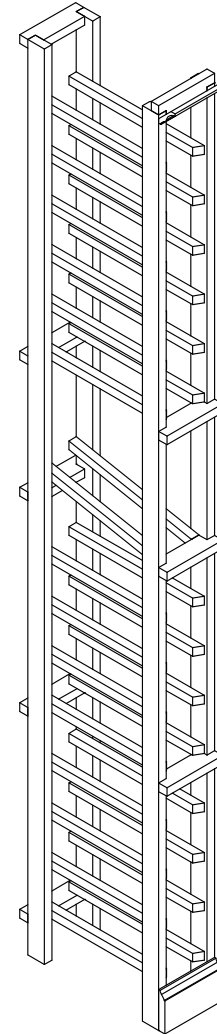
- Hammer
- Pneumatic Brad Nailer (Preferred)
- Power drill
- Level
- Power miter saw (Preferred)
- $\frac{3}{32}$ " pilot drill
- Nail Set
- Wood filler (Optional)
- 180 grit sand paper (Optional)

Fasteners

- $1\frac{1}{4}$ " finishing nails to fasten cross pieces
- $1\frac{1}{4}$ " brad nails if using pneumatic brad nailer
- #8x $1\frac{1}{4}$ " screws to attach to other modules
- #8x3" screws for attaching racks to wall

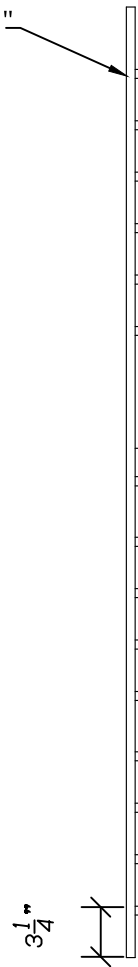
Tips:

1. Using pneumatic brad nailer will make assembly quicker and easier.
2. Before opening any boxes, if multiple units and different units have been ordered, please assemble all boxes by units to ensure that specific unit parts are not intermixed with other units.
3. It is highly recommended to drill $\frac{3}{32}$ " dia pilot holes on back cross pieces for #8x3" screws before attaching to wall.



Part list:

(1pc) Left end ladder $72\frac{3}{4}$ "



(1pc) Right end ladder $72\frac{3}{4}$ "



(9 pcs) Cross piece



Crown



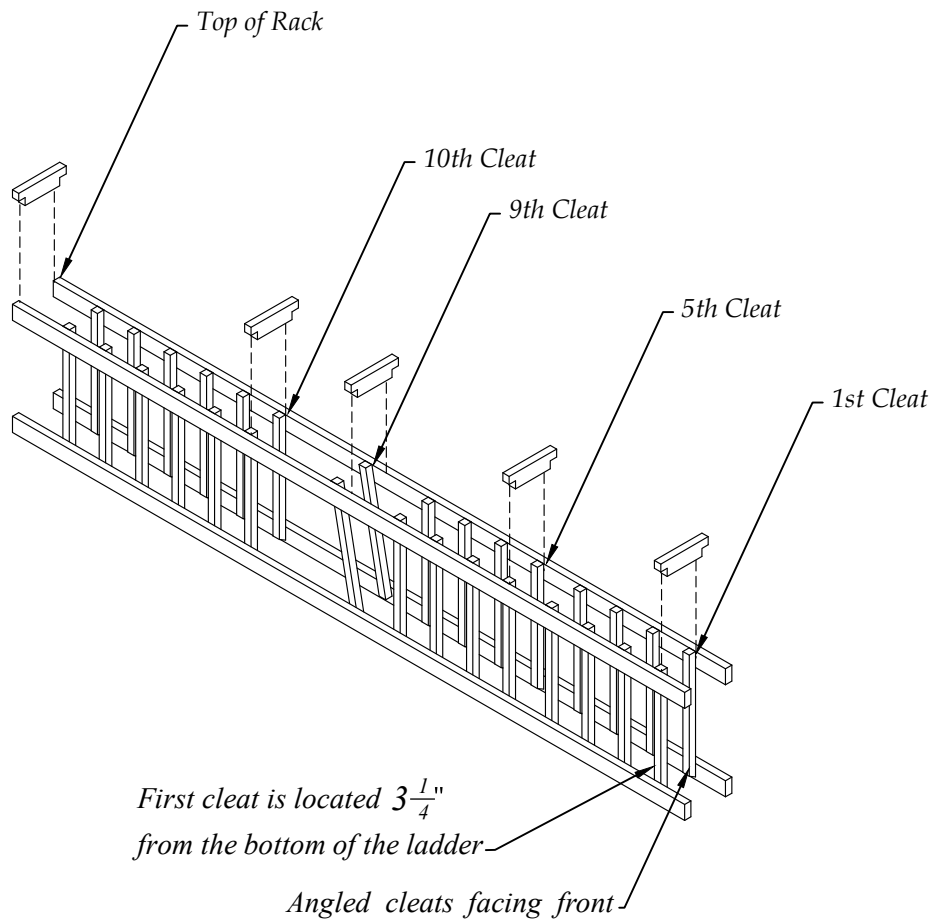
Baseboard



Step 1

Attaching cross pieces to the **BACK**

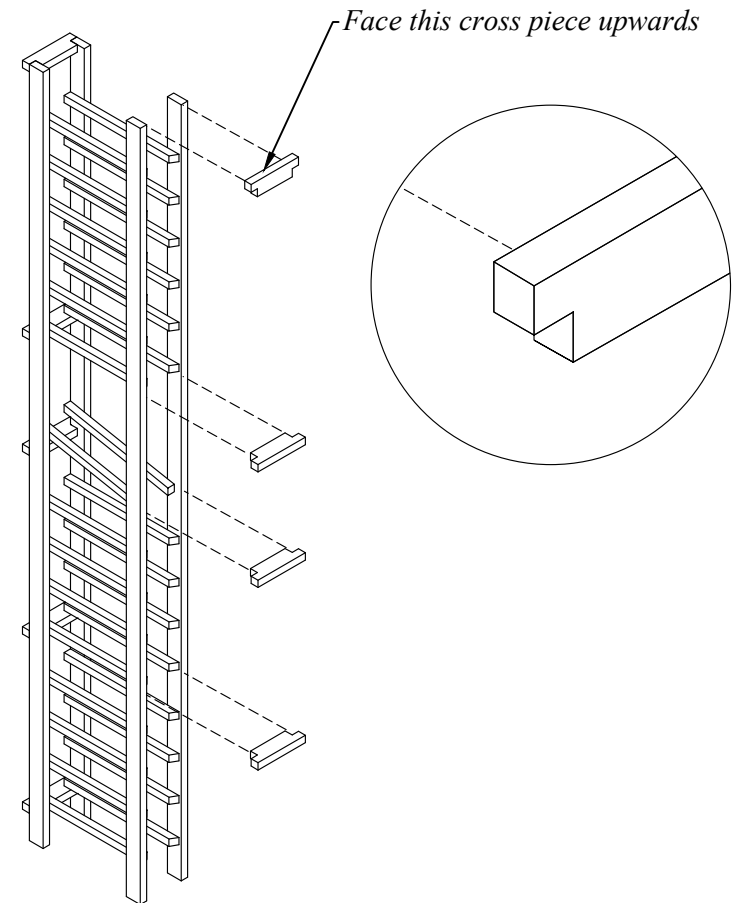
Place the right and left end ladders on the floor making sure the angled cleats are facing floor. Nail the cross pieces under the 1st, 5th, 9th and 10th cleat starting from the bottom. Nail the top piece flush with top of the ladders.



Step 2

Attaching **FRONT** ladders.

Nail the cross pieces under the 5th, 9th and 10th cleat starting from the bottom. Nail the top piece flush with front of the ladders as shown.

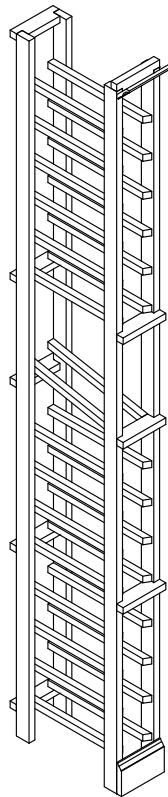


Step 3

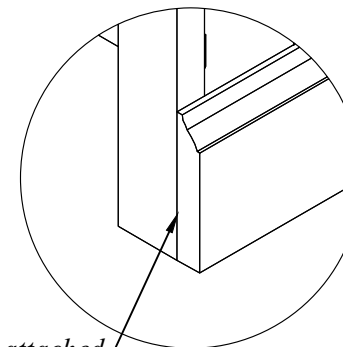
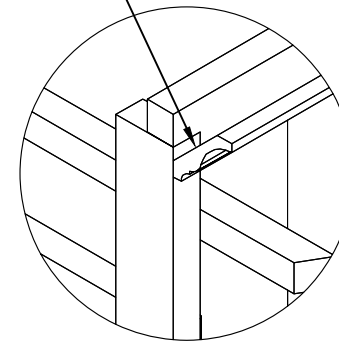
Attaching to the wall

Fasten to the wall through the back cross pieces using #8x3 " screws and using a level to make sure rack is mounted square on the wall. Make sure back cross piece has $\frac{3}{32}$ " dia pilot holes drilled before screwing to wall.

For a professional looking job you can use a nail set to indent the nail heads and wood filler to fill in the nail holes on the front cleats, baseboard and crown moulding. Give the part that was filled a light sanding with 180 grit sandpaper.



$1\frac{1}{2}$ " Crown moulding
attached to top of rack



$3\frac{1}{4}$ " baseboard attached
to bottom of rack