

Assembly instructions - 7ft -

Tools Needed:

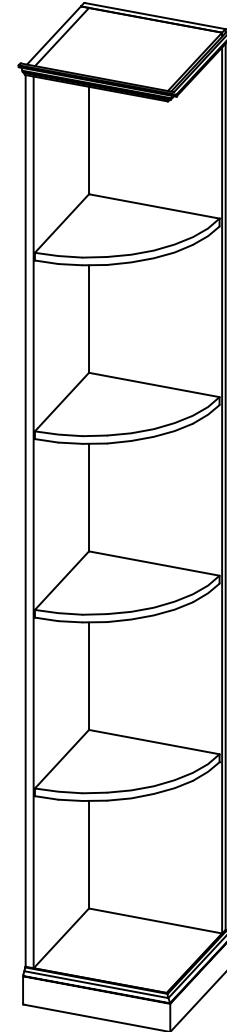
- Hammer
- Pneumatic brad nailer (preferred)
- Power drill
- Level
- Power miter saw (preferred)
- $\frac{3}{32}$ " pilot drill
- Nail set
- Wood filler (optional)
- 180 grit sand paper (optional)

Fasteners:

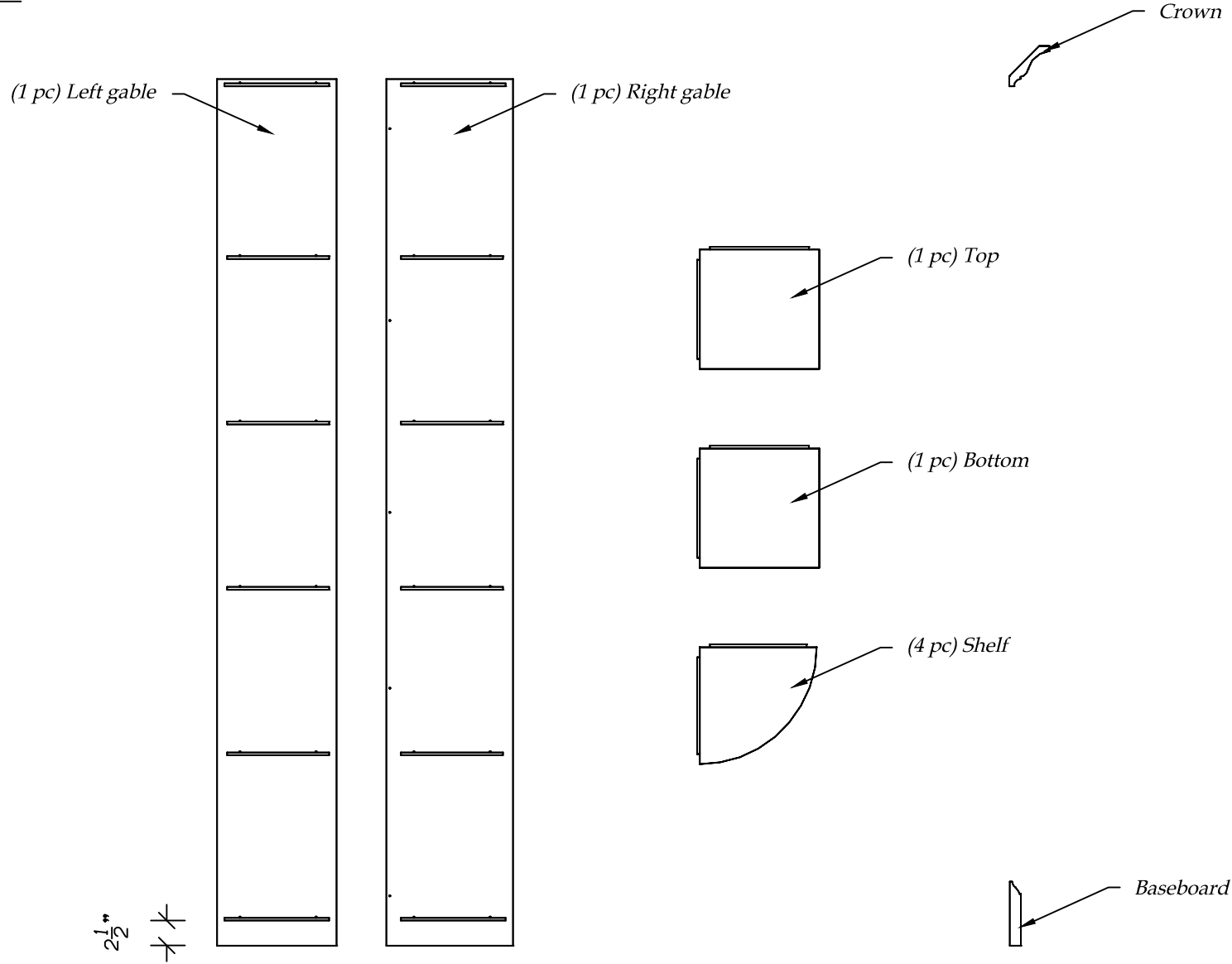
- 1 $\frac{1}{4}$ " finishing nails to fasten cross pieces
- 1 $\frac{1}{4}$ " brad nails if using pneumatic brad nailer
- #8x1 $\frac{1}{4}$ " screws to attach to other modules
- #8x2" screws for attaching racks to wall

Tips:

1. Using pneumatic brad nailer will make assembly quicker and easier.
2. Before opening any boxes, if multiple units and different units have been ordered, please assemble all boxes by units to ensure that specific unit parts are not intermixed with other units.
3. It is highly recommended to drill $\frac{3}{32}$ " dia pilot holes on back for #8x2" screws before attaching to wall.



Part list:

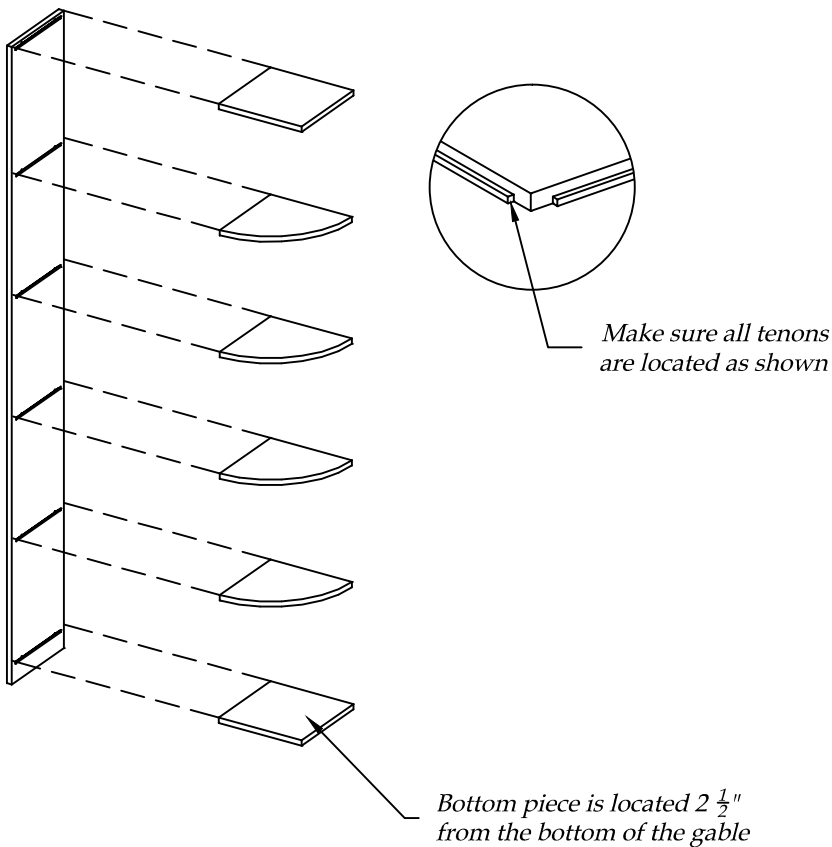


Step 1

Attaching top, bottom and shelves to the LEFT gable.

Install as shown, making sure tenons are located on the bottom of all shelves (including top and bottom).

Left gable has pre-drilled $\frac{3}{32}$ " pilot holes. Use #8x2" screws to fasten gable to all shelves, top and bottom.



Step 2

Attaching RIGHT gable.

Fasten right gable to all shelves (including top and bottom) as shown using #8x2" screws.

Fasten right gable to left gable using pre-drilled $\frac{3}{32}$ " pilot holes and #8x2" screws.

