

Assembly instructions - 7ft -

Tools Needed:

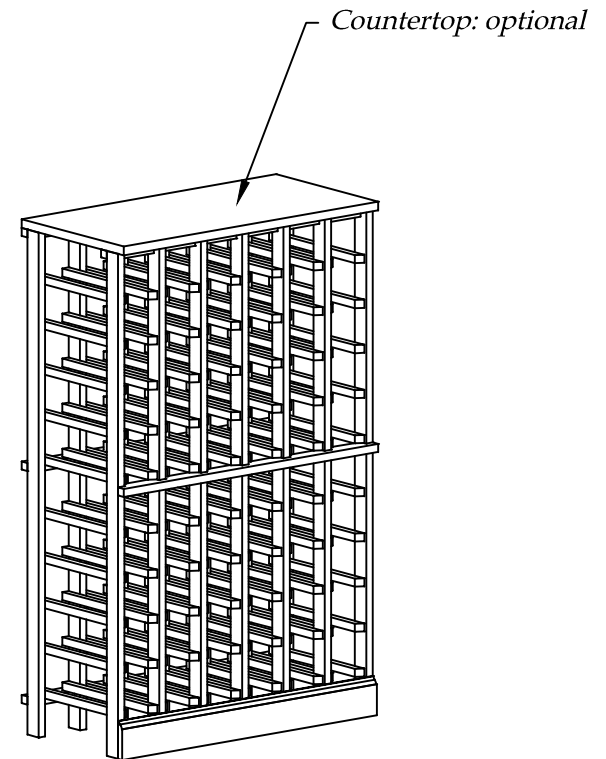
- Hammer
- Pneumatic brad nailer (preferred)
- Power drill
- Level
- Power miter saw (preferred)
- $\frac{3}{32}$ " pilot drill
- Nail set
- Wood filler (optional)
- 180 grit sand paper (optional)

Fasteners:

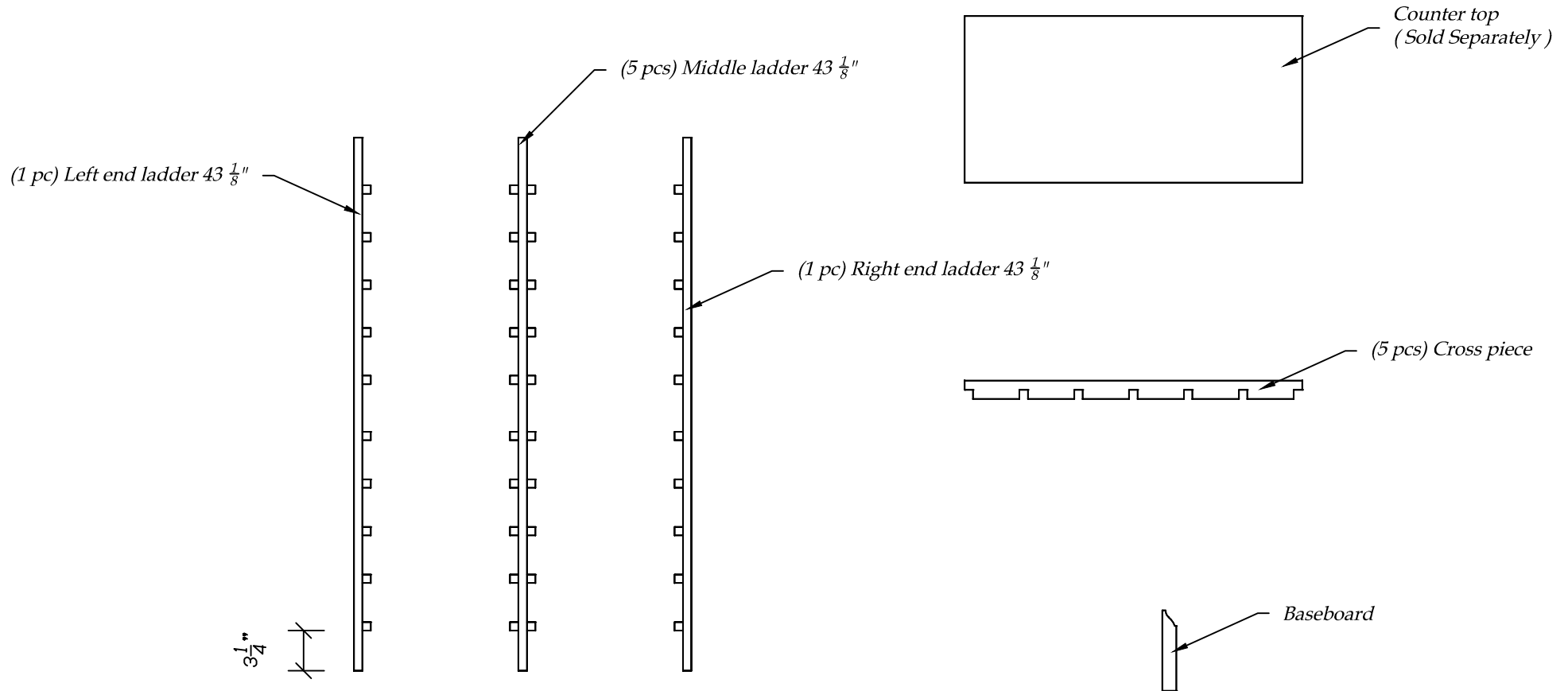
- 1 $\frac{1}{4}$ " finishing nails to fasten cross pieces
- 1 $\frac{1}{4}$ " brad nails if using pneumatic brad nailer
- #8x1 $\frac{1}{4}$ " screws to attach to other modules
- #8x3" screws for attaching racks to wall

Tips:

1. Using pneumatic brad nailer will make assembly quicker and easier.
2. Before opening any boxes, if multiple units and different units have been ordered, please assemble all boxes by units to ensure that specific unit parts are not intermixed with other units.
3. It is highly recommended to drill $\frac{3}{32}$ " dia pilot holes on back cross pieces for #8x3" screws before attaching to wall.



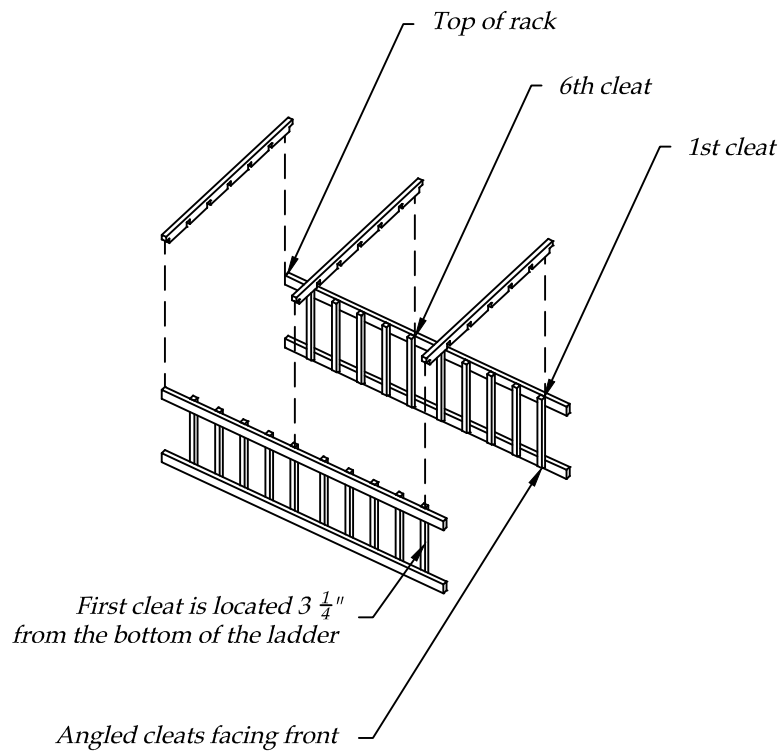
Part list:



Step 1

Attaching cross pieces to the **BACK**.

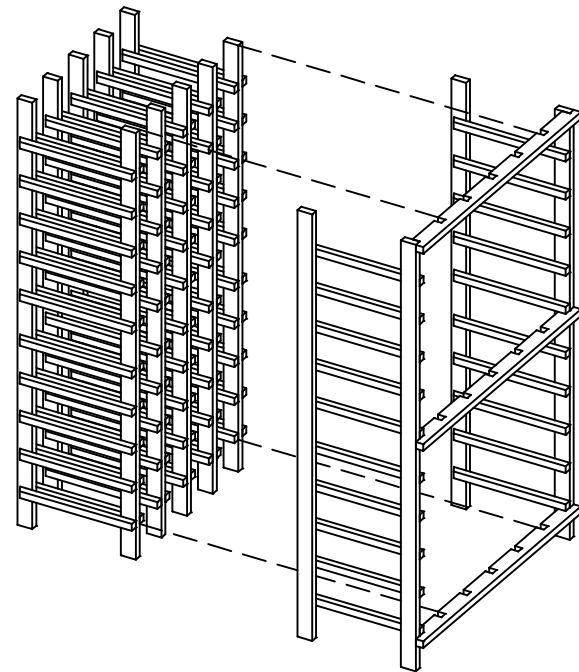
Place the right and left end ladders on the floor making sure the angled cleats are facing floor. Nail the cross pieces under the 1st and 6th cleat starting from the bottom. Nail the top cross piece flush with top of the ladders.



Step 2

Attaching middle ladders.

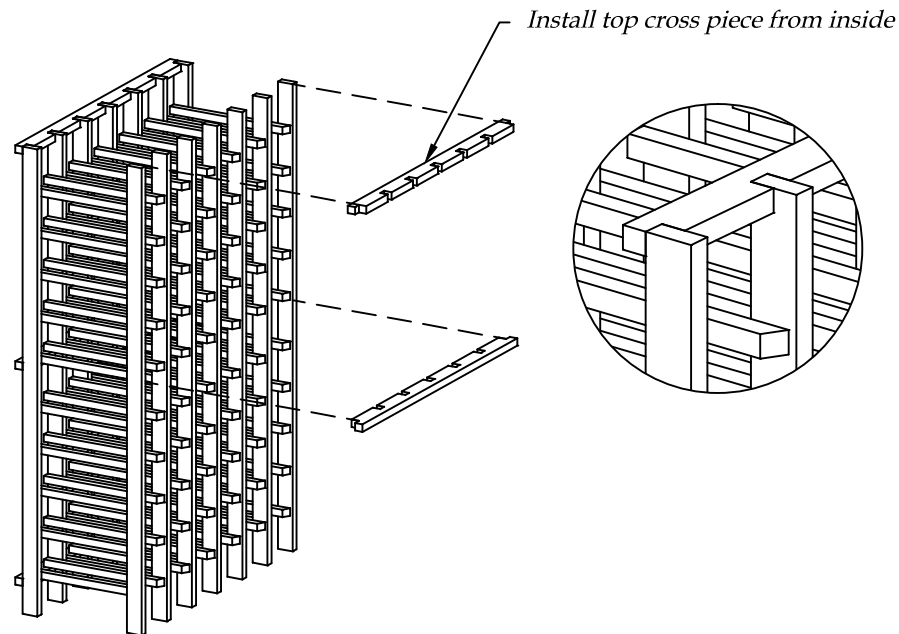
Take middle ladders making sure the angled cleats are facing front. Place each ladder into cross piece slots and nail from the back on all back cross pieces.



Step 3

Attaching **FRONT** cross pieces.

Nail the cross piece under the 6th cleat starting from the bottom. Nail the top cross piece from inside as shown.



Step 4

Attaching to the wall.

Fasten to the wall through the back cross pieces using #8x3" screws and using a level to make sure the rack is mounted square on the wall. Make sure back cross piece has $\frac{3}{32}$ " dia pilot holes drilled before screwing to wall.

For a professional looking job you can use a nail set to indent the nail heads and red oak wood filler to fill in the nail holes on the front cleats, baseboard and crown moulding. Give the part that was filled a light sanding with 180 grit sandpaper.

