

MONO SERIES INSTALLATION GUIDE

Supplied Hardware

2 x Stainless Steel M2.5 bolt (1 per fin)
2 x #6 Specialty screw (1 per hole in back of mono pad)
NOTE: Ensure adequate backing in wall, minimum 1/2" of wood backing required. Appropriate wall anchors may be used if fastening to masonry.

Tools Required

Level or Laser
Drill + drill bit
#1 Robinson bit
2mm Allen Key

1. Remove components from packaging. Be sure to recycle!
2. Determine location on wall.
Note: Ensure adequate bottle space either side to existing and future objects. See Specification Guide for spacing requirements.
Note: For Light Shelf installations, refer to Light Shelf Installation guide for wiring locations and instructions.
3. Mark top or bottom edge of Mono Pad.
Note: If multiple mono pads are being installed, mark each location and ensure level.
4. Align Mono Pad(s) to location(s) marked.
5. Mark holes with pencil as per hole in back of Mono Pad(s). **(Diagram #1)**
6. Set Mono Pad(s) aside and pre-drill into wall surface and blocking behind with a 1/16" (1.5mm) drill bit, ensuring alignment with markings from previous step. **(Diagram #2)**
Note: if mounting surface is masonry, drill required diameter hole for wall plug (not supplied) with suitable drill bit.
7. Carefully install Mono Pad with #6 Specialty screws (supplied) taking extra care not to damage side walls of fin cut-outs. **(Diagram #3)**
Note: If light shelves are part of the installation, pull wire through centre hole before installing Mono Pad. (Refer to Light Shelf Installation Guide)
8. Repeat steps #4 to #7 for multiple Mono Series installations, ensuring adequate space between Mono Pads. (Refer to Specification Guide for spacing requirements)
9. Install fins (or Light Shelves, see Light Shelf installation guide) individually so the pre-drilled hole in fin aligns with the threaded hole in Mono Pad. **(Diagram #4)**
10. Once key of fin is installed and fin is nested on Mono Pad, secure fin by installing M2.5 bolt (supplied) and finger tighten with 2mm allen key.
Note: Use allen key only in orientation shown as to not create excessive torque. Finger-tight is all that is required to make a snug fit. Use extreme caution not to over-tighten and strip thread in Mono Pad.
11. Repeat steps #9 and #10 until all fins/ light shelves are installed.
12. Sit back and enjoy!

Diagram #1 :: Mark Locations

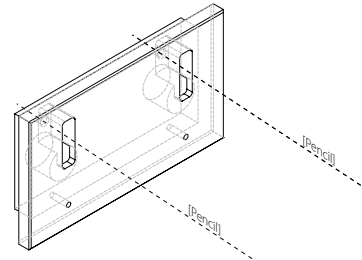


Diagram #2 :: Pre-drill holes

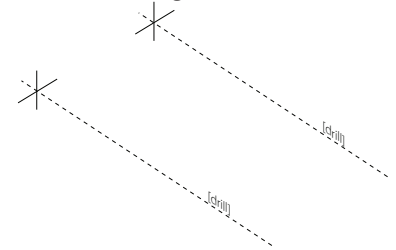


Diagram #3 :: Install Mono Pad

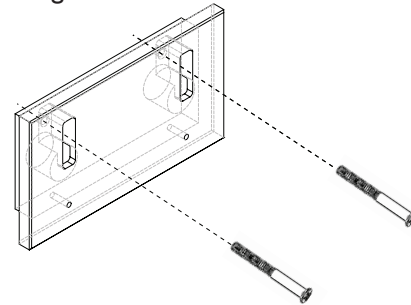
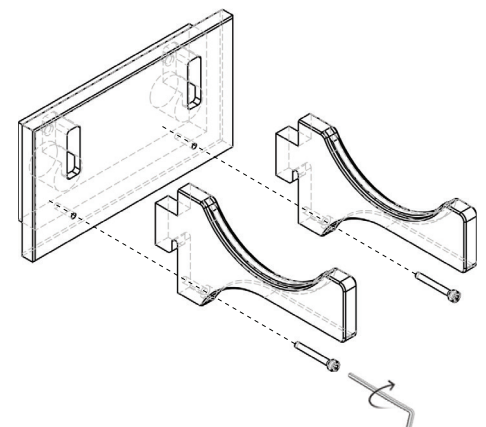


Diagram #4 :: Install Components



CLASSIC SERIES INSTALLATION GUIDE

Supplied Hardware

Stainless Steel M2.5 bolt (1 per fin)

#6 Specialty screw (1 per hole in back of post)

NOTE: Ensure adequate backing in wall, minimum 1/2" of wood backing required. Appropriate wall anchors may be used if fastening to masonry.

Tools Required

Aluminium blade + chop saw
(if posts cut on site)

Level or Laser

Drill + drill bit

#1 Robinson bit

2mm Allen Key

Additional Suggested Tools

Makita 1/4" Hex Driver Drill
(DF012D), torque setting 5

DeWalt 12" Extension (DW1589)

AM-2mm Apex 1/4" Socket Head

- Remove components from packaging. Be sure to recycle! Confirm fin supports supplied matches type, colour and quantity as per Liquid Systems order.
- Determine location on wall.
Note: Ensure adequate bottle space either side to existing and future objects. See Specification Guide for spacing requirements.
Note: If light shelves are integral to purchased display, refer to Light Shelf Installation guide for wiring locations.
- Mark edge or centreline of post on, or close to floor.
- By use of a level or laser, mark the edge or centerline of post on or close to the ceiling to ensure a plumb installation.
- If posts are cut on site: Measure overall floor to ceiling height at marked location and cut post to length using an aluminium blade and chop saw. **(Diagram #1)**
Note: Be sure to trim the correct end as key holes are specific to this vertical orientation.
Note: If multiple posts are being installed, ensure level and alignment of bottle display. First post (or multiple posts) may need to be trimmed top and bottom to gain a level installation over multiple posts.
- Lean post against a wall and align with top and bottom edge markings laid out from step #4 and #5.
- Mark holes with pencil per hole in back of post. **(Diagram #2)**
- Set aside post and pre-drill into wall surface and blocking behind with a 1/16" (1.5mm) drill bit, ensuring alignment with markings from previous step. **(Diagram #3)**
Note: If light shelves are part of the installation, refer to Light Shelf Installation guide for wiring instructions prior to securing post to wall.
- Secure post with #6 Specialty screws (supplied). **(Diagram #4)**
- Repeat steps #2 to #9 for multiple post installations, ensuring adequate space between posts. (Refer to Specification Guide for spacing requirements)
- Open packaging with fin supports and remove hardware from packaging.
Note: Supplied hardware = 1 x M2.5 Stainless Steel bolt per fin.

Diagram #1 :: Cut post to length

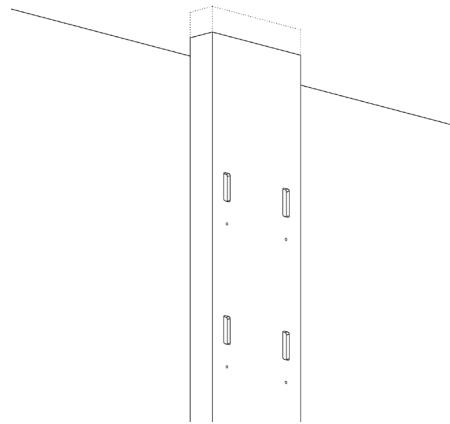


Diagram #2 :: Mark holes on wall

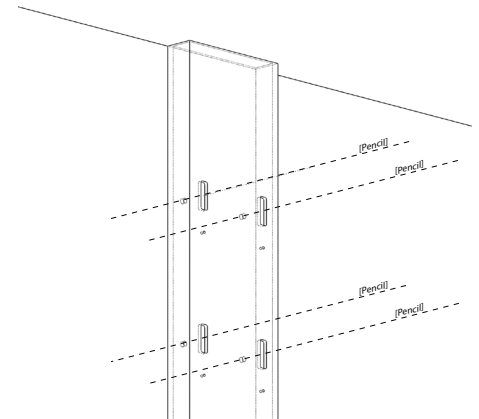
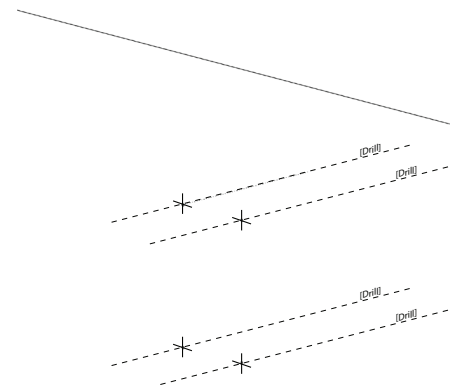


Diagram #3 :: Pre-drill holes in wall



CLASSIC SERIES INSTALLATION GUIDE

12. Install fins (or Light Shelves, see Light Shelf installation guide) individually so the pre-drilled hole in fin aligns with the threaded hole in post. **(Diagram #5)**
Note: Start installation from the lowest fin location and work up. This allows any gentle tapping from above if required on snug fitting fins.
13. Once key of fin is installed and fin is nested on post, secure fin by installing M2.5 bolt (supplied) and finger tighten with 2mm allen key.
Note: Use allen key only in orientation shown as to not create excessive torque. Finger-tight is all that is required to make a snug fit. Use extreme caution not to over-tighten and strip thread in post.
Note: Makita 1/4" Hex Driver Drill (model DF012D only) may be used on torque setting 5 to tighten M2.5 bolts. The use of other drill models and torque settings may over-tighten and strip tread in post.
14. Repeat steps #12 and #13 until all fins/ light shelves are installed. **(Diagram #6)**
15. Sit back and enjoy!

Diagram #4 :: Secure post to wall

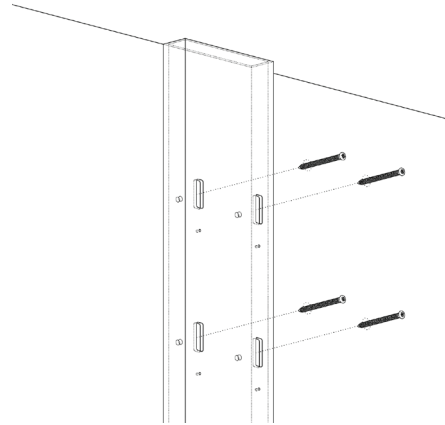


Diagram #5 :: Install fins and components

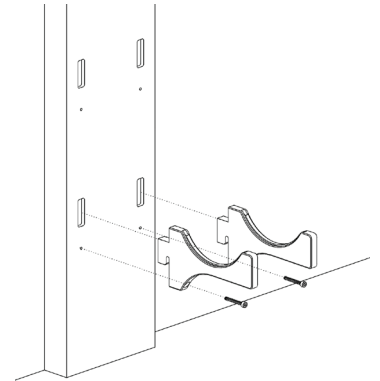
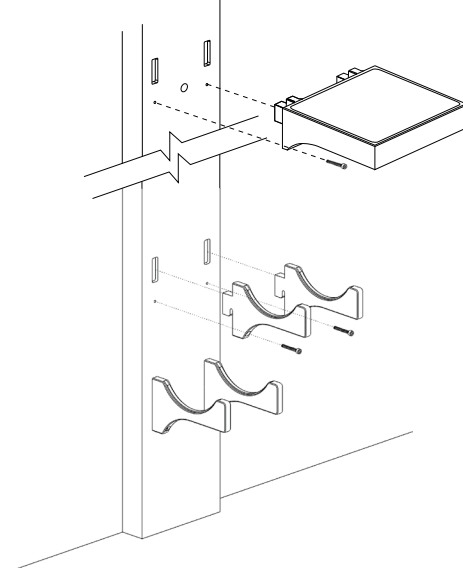


Diagram #6 :: Keep on going!



EXCLUSIVE SERIES INSTALLATION GUIDE

Supplied Hardware

Bolts (4 per post)
Washers (4 per post)
Nuts (4 per post)
#8 Screw (4 per post)
Stainless Steel M2.5 bolt (1 per fin)

Tools Required

Laser or Plumb-bob
Drill + drill bit
#2 Robinson and Phillips bits
2mm and 3/16" Allen Keys
Wrench

Additional Suggested Tools

Makita 1/4" Hex Driver Drill (DF012D), torque setting 5
DeWalt 12" Extension (DW1589)
AM-2mm Apex 1/4" Socket Head

1. Remove posts from packaging. Be sure to recycle!
2. Remove shoe brackets, cover plates and hardware from packaging and recycle extra cardboard packaging.
3. Determine location on wall via signed and confirmed Liquid Systems Shop Drawings.

Note: Ensure adequate bottle space on either side to existing and future objects. Take special note of depth from objects behind and in front to ensure adequate space for fin and bottle depth, and ample accessibility to bottles is achievable. See Specification Guide for minimum spacing requirements.

Note: If light shelves are integral to purchased display, refer to Light Shelf Installation guide for wiring locations.

4. Mark screw hole locations on floor by placing shoe in final location.
5. Remove shoe and with a laser (or plumb-bob) locate directly above and mark centre point on ceiling. This will be the location for screwing the top shoe support.
6. Pre-drill holes with appropriate drill and drill-bit depending on your floor and ceiling finish as well as backing material behind.
Note: It is the contractors/ installers responsibility to ensure no services will be hit when drilling and screwing into floor and ceiling.
7. Place bottom shoe over pre-drilled holes and fasten. **(Diagram #1)**
Note: Ensure two elongated holes on shoe face the required direction per your final layout. This marks the face that the exposed bolt heads will be seen (opposite side to coverplate). Anchors may be required depending on floor/ ceiling and backing material.
8. Repeat step #7 for shoe mounted to ceiling.
Note: For multiple posts, ensure alignment via level or laser line.
Note: If light shelves are part of the installation, refer to Light Shelf Installation guide for wiring requirements prior to securing post to shoes. At this stage, wires should be pulled through shoe location already (floor or ceiling).
9. Taking note of the top and bottom of post, carefully slide post on fastened floor and ceiling shoe supports.
Note: Vertical orientation determined by fin key holes.
10. Install bolts, washers and nuts loosely through the front holes in post. **(Diagram #2)**

Diagram #1 :: mark, pre-drill and fasten shoe supports

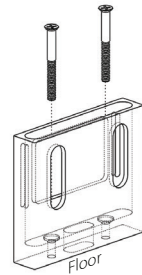
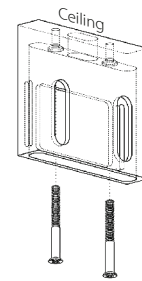
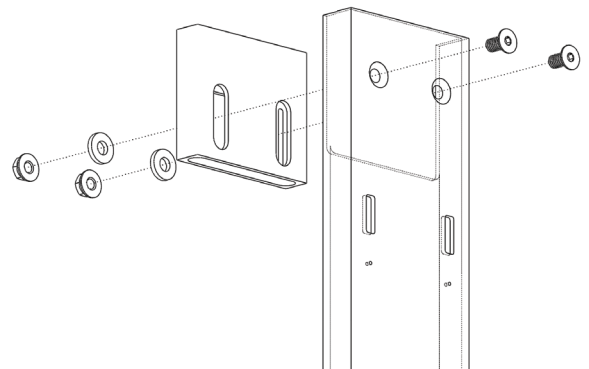


Diagram #2 :: Fasten post to shoes



EXCLUSIVE SERIES INSTALLATION GUIDE

11. Measure the distance from the top of post to the underside of ceiling. Lift post to half this distance to create equal spacing top and bottom and tighten lower shoe bolts, followed by top shoe bolts.

Note: If multiple post installation is required, install all posts (ensuring minimum space requirements are followed as per specification guide). Align fin supports via laser level. Depending on unevenness of ceiling and/or floor, this will affect dimension of exposed shoe supports as noted in step #11.

12. Install cover plates for top and bottom shoe supports.

13. Repeat steps #2 to #12 for multiple post installations.

14. Open packaging with fin supports and remove hardware from packaging. Confirm supplied type, colour and quantity matches your order.

Note: Supplied hardware = 1 x M2.5 Stainless Steel bolt per fin.

15. Install fins (or Light Shelves, see Light Shelf installation guide) individually so the pre-drilled hole in fin aligns with the threaded hole in post. **(Diagram #3)**

Note: Start installation from the lowest fin location and work up. This allows any gentle tapping from above if required on snug fitting fins. Once key of fin is installed and fin is nested on post, secure fin by installing M2.5 bolt (supplied) and finger tighten with 2mm allen key.

Note: Use allen key only in orientation shown as to not create excessive torque. Finger-tight is all that is required to make a snug fit. Use extreme caution not to over-tighten and strip thread in post.

Note: Makita 1/4" Hex Driver Drill (model DF012D only) may be used on torque setting 5 to tighten M2.5 bolts. The use of other drill models may over-tighten and strip tread in post.

16. Repeat steps #14 to #16 until all fins/ light shelves are installed.

(Diagram #4)

17. Sit back and enjoy!

Diagram #3 :: Install fins and components

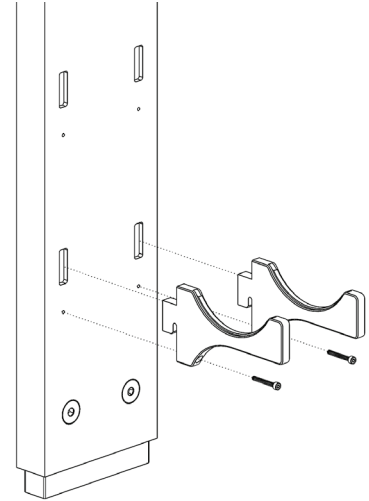
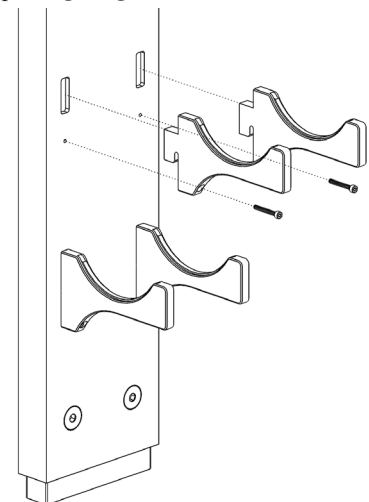


Diagram #4 :: Keep on going!



LIGHT SHELF INSTALLATION

Supplied Components

Driver (30W, 60W or 100W)*
Light Shelf
Spider Cable (as required)

Notes

A qualified electrician is required for the installation and wiring of light shelves to meet all local electrical codes.

Locations for required power and switch functions to be pre-determined and pre-wired prior to Liquid Systems installation.

*Project specific and confirmed at time of pricing

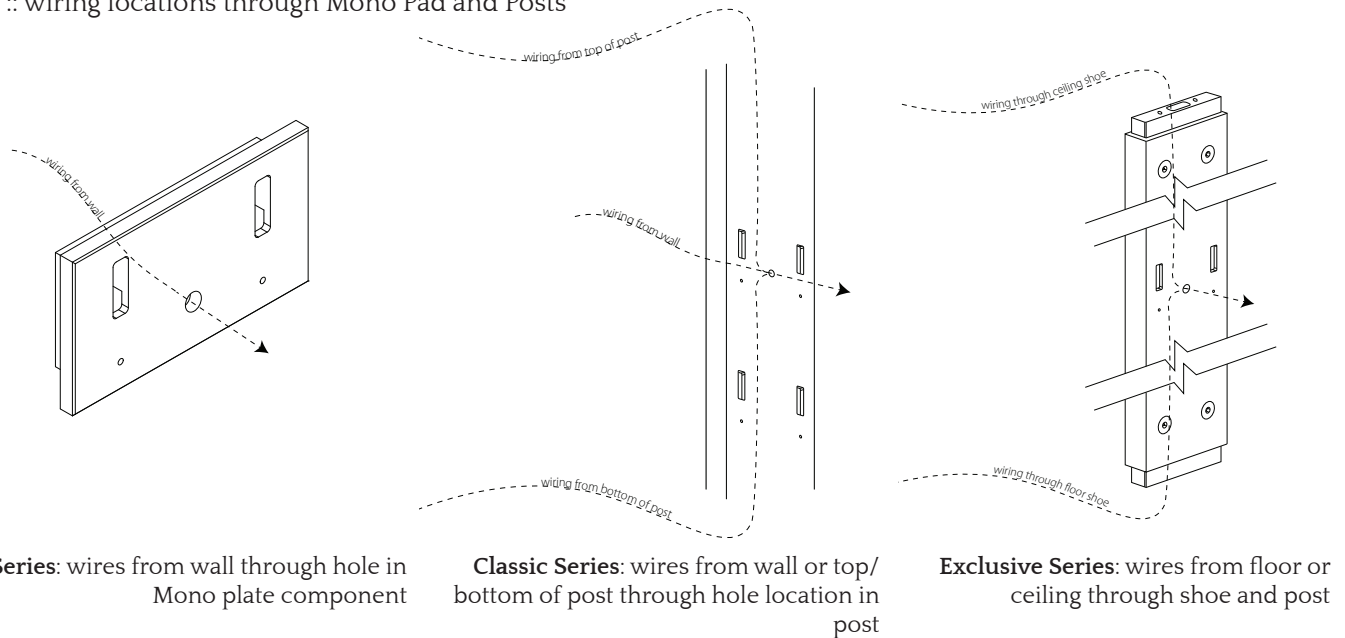
1. Connect power to Driver and dimmer/switch as per installation manual provided by Driver manufacturer.
2. Installation of wires from pre-determined spots as follow : **(Diagram #1)**

Exclusive Series - through shoes from floor or ceiling

Classic Series - through top/bottom of post or cut out in post

Mono - through hole in Mono plate component

Diagram #1 :: wiring locations through Mono Pad and Posts



3. Make required electrical connections once post or mono pad is fixed in position and wiring has been pulled through wiring access hole.
4. Install Light Shelf on post and fasten with M2.5 bolts as supplied.