

Fresh Living Tip

Design your own at-home spa experience by including wine storage near your soaking tub. At a compact 15" size, this model is a great solution to store your wine collection without dedicating a large footprint.

FINISH OPTIONS



15" Marvel High-Efficiency Single Zone Wine Refrigerator

MLWC215

Storage Adaptability

- 2.7 cu. ft. capacity stores 24 bottles of wine
- (6) 4-bottle wine racks
- Accommodates a variety of bottle sizes including champagne and magnum bottles
- ¾ extension smooth-glide ball-bearing shelving provides easy access to your collection
- Heavy-gauge wire wine racks safely cradle each wine bottle and prevent jarring

Performance

- Dynamic cooling technology delivers precise temperature stability and frost-free operation for an optimal wine preservation environment
- Proprietary shelving design allows temperature-controlled air to circulate throughout cabinet for consistency from top to bottom
- Vibration Neutralization System protects wine from agitation, allowing it to come to full maturation
- Thermal-efficient cabinet ensures optimum wine preservation and energy efficiency while maximizing capacity
- Argon-filled, UV-resistant tinted dual pane glass door protects contents from damaging ultraviolet light and helps conserve energy
- Sound-buffering design

Convenient Controls

- Multifunction controls allow you to select a precise cabinet temperature from 34° F to 60° F
- Features easy-to-use settings and options

Fit & Finish

- Elegant midnight black interior and arctic white LED interior lighting
- Solid natural maple shelf fronts, stainable to match cabinetry
- Reversible door allows for right or left swing for adaptable installation
- Black toe kick adjustable to 4" with leveling legs

Warranty

- 1-year parts and labor warranty and 5-year sealed system parts warranty



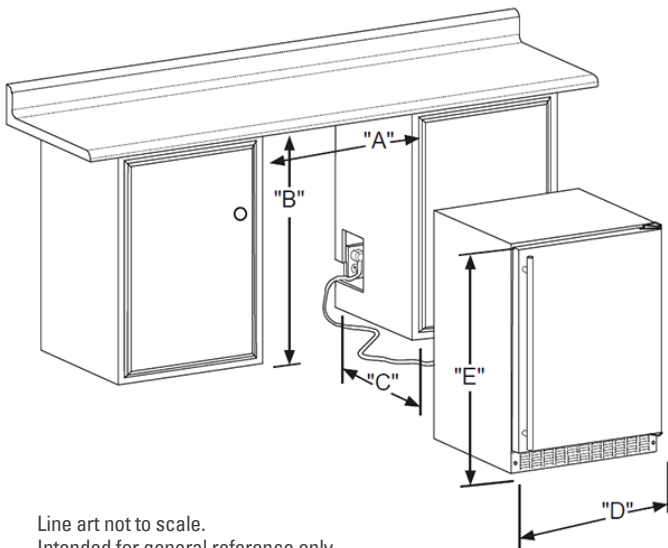
The energy- and space-efficient way to store fine vintage wines, this slim Marvel Wine Refrigerator stores 24 bottles in the optimum wine preservation environment.

DOOR STYLE	MODEL NUMBER
Stainless Steel Frame Glass	MLWC215-SG01A
Panel Ready Frame Glass	MLWC215-IG01A
Solid Panel Ready	MLWC215-IS01A
Solid Stainless Steel	MLWC215-SS01A

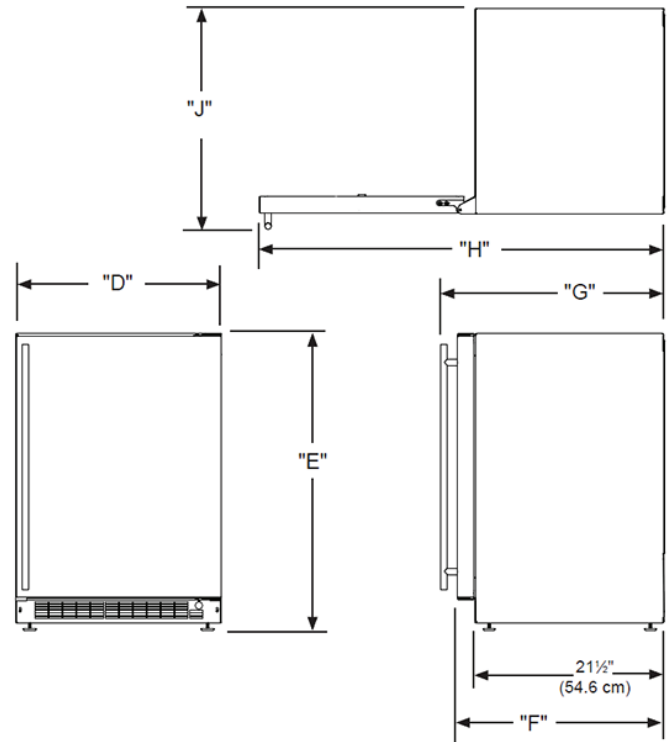


- 24-bottle capacity
- Reversible door
- Precise temp control
- Arctic white lighting
- Thermal-efficient finished cabinet design
- Heavy-gauge wire racking
- Fits magnum and champagne bottles
- ¾ extension smooth-glide shelving
- Vibration neutralization system

H: 33 3/4" W: 14 7/8" D: 25 21/32" (with handle)



Line art not to scale.
Intended for general reference only.



Rough In Dimensions*

"A"	"B"	"C"
15"	34-1/4" TO 35-1/4"	24"
(38.1 CM)	(87 CM TO 89.5 CM)	(61 CM)

Cabinet Dimensions*

"D"	"E"	"F"	"G"	"H"	"J"
14-7/8"	33-5/8" TO 34-5/8"	23-5/8"*	25-21/32"*	38-3/4"*	17-1/2"*
(37.8 CM)	(85.4 CM TO 87.9 CM)	(60 CM)	(65.2 CM)	(98.4 CM)	(44.4 CM)

*Stainless steel model dimensions only. For panel-ready models, see the owner's guide online at marvelrefrigeration.com.

- Capacity** 2.7 CU. FT.
- Control Type** Electronic
- Sabbath Mode** Yes
- Temperature Range** 34°F to 60°F
- Handle Style** Slim (handle not included on panel-ready models)
- Hinge Type** Reversible
- Interior Lighting** White LED
- Shelving System** ¾ Extension Smooth-Glide Wire Shelving
- Toe Grille Finish** Black

- Lock** No
- Electrical Requirements** 115V / 60 Hz / 15A
- Cord Length** 6 FT.
- Shipping Dimensions** 19" W x 31" D x 37" H
- Shipping Weight** 125 LBS
- Agency Approval** UL
- Refrigerant Type** R600a

For comprehensive installation instructions, including panel overlay details, please visit marvelrefrigeration.com to access the owner's guide.

