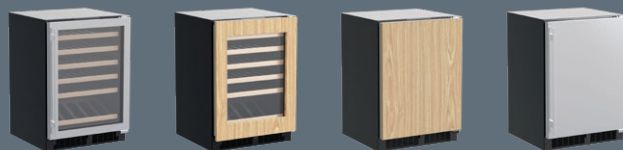


Fresh Living Tip

Relish in the finer things in life and enjoy wine at hand for special occasions, wine pairings or quiet nights in. Add a built-in Marvel wine model to a banquet buffet cabinet to create a sophisticated and practical wine display.

FINISH OPTIONS



24" Marvel High-Efficiency Single Zone Wine Refrigerator with Display Rack

MLWC324

Storage Adaptability

- 5.3 cu. ft. capacity stores 45 bottles
- (5) 8-bottle wire racks and (1) 5-bottle gallery wine rack
- Accommodates a variety of bottle sizes including champagne and magnum bottles
- $\frac{3}{4}$ extension smooth-glide ball-bearing shelving provides easy access to your collection
- Heavy-gauge wire wine racks safely cradle each wine bottle and prevent jarring

Performance

- Dynamic cooling technology delivers precise temperature stability and frost-free operation for an optimal wine preservation environment
- Proprietary shelving design allows temperature-controlled air to circulate throughout cabinet for consistency from top to bottom
- Vibration Neutralization System protects wine from agitation, allowing it to come to full maturation
- Thermal-efficient cabinet ensures optimum wine preservation and energy efficiency while maximizing capacity
- Argon-filled, UV-resistant tinted dual pane glass door protects contents from damaging ultraviolet light and helps conserve energy
- Sound-buffering design

Convenient Controls

- Multifunction controls allow you to select a precise temperature from 34° F to 60° F
- Features easy-to-use settings and options

Warranty

- 1-year parts and labor warranty and 5-year sealed system parts warranty



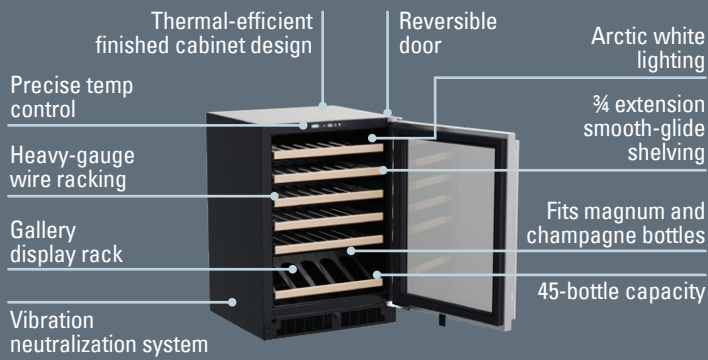
One of the most high-capacity models in the Marvel classic collection, the Marvel 24 High-Efficiency Single Zone Wine Refrigerator provides smooth glide-out access a 45-bottle collection. Marvel wine refrigerators are engineered to defend against the enemies of wine, like damaging light, temperature fluctuation and vibration.

Fit & Finish

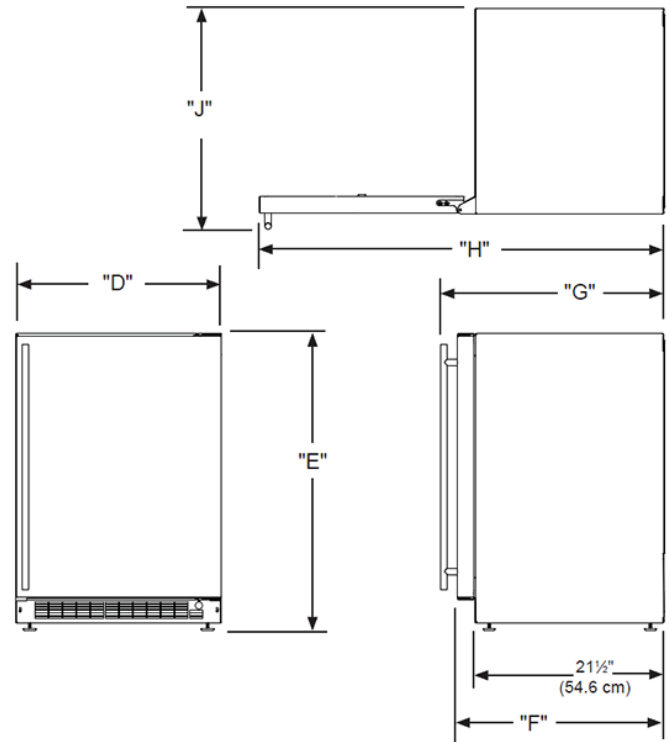
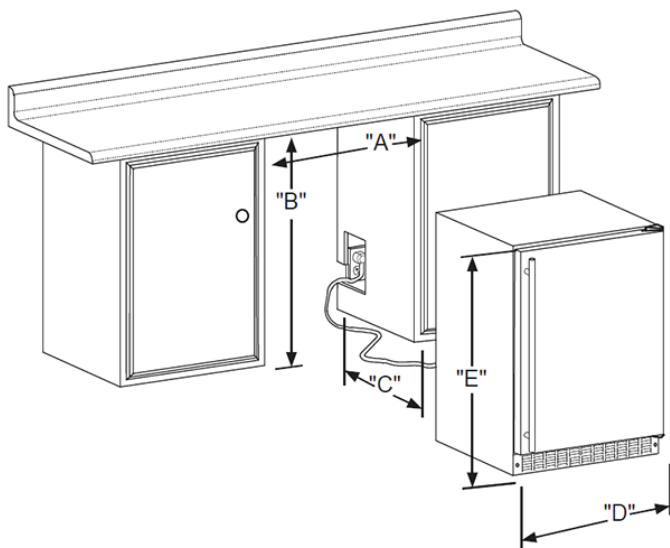
- Elegant midnight black interior and arctic white LED interior lighting
- Solid natural maple shelf fronts, stainable to match cabinetry
- Reversible door allows for right or left swing for adaptable installation
- Black toe kick adjustable to 4" with leveling legs

DOOR STYLE	MODEL NUMBER
Stainless Steel Frame Glass	MLWC324-SG01A
Panel Ready Frame Glass	MLWC324-IG01A
Solid Panel Ready	MLWC324-IS01A
Solid Stainless Steel	MLWC324-SS01A





H: 33 3/4" W: 23 7/8" D: 25 21/32" (with handle)



Rough In Dimensions*

"A"	"B"	"C"
24"	34-1/4" to 35-1/4"	24"
(61 CM)	(87 CM to 89.5 CM)	(61 CM)

Cabinet Dimensions*

"D"	"E"	"F"	"G"	"H"	"J"
23-7/8"	33-5/8" TO 34-5/8"	23-5/8"*	25-21/32"*	47-3/4"*	26-1/2"*
(60.7 CM)	(85.4 CM TO 87.9 CM)	(60 CM)	(65.2 CM)	(146.6 CM)	(67.3 CM)

*Stainless steel model dimensions only. For panel-ready models, see the owner's guide online at marvelrefrigeration.com.

Capacity	5.3 CU. FT.
Control Type	Electronic
Sabbath Mode	Yes
Temperature Range	34°F to 60°F
Handle Style	Slim (handle not included on panel-ready models)
Hinge Type	Reversible
Interior Lighting	White LED
Shelving System	¾ Extension Smooth-Glide Wire Shelving
Toe Grille Finish	Black

Lock	No
Electrical Requirements	115V / 60 Hz / 15A
Cord Length	6 FT.
Shipping Dimensions	28" W x 31" D x 37" H
Shipping Weight	160 LBS
Agency Approval	UL
Refrigerant Type	R600a

For comprehensive installation instructions, including panel overlay details, please visit marvelrefrigeration.com to access the owner's guide.

