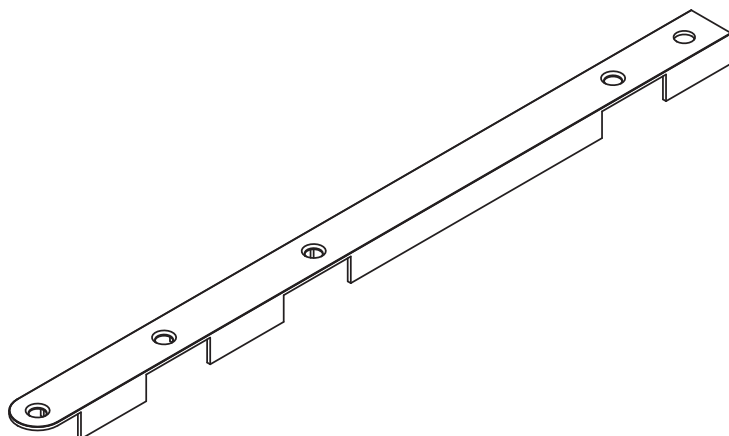


koolrTM
PRODUCTS

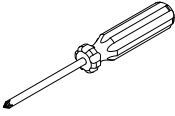
red rackTM

DBL DEEP BRACKETS

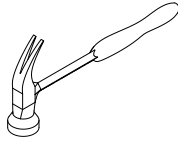


ASSEMBLY & INSTALLATION GUIDE

TOOLS AND HARDWARE



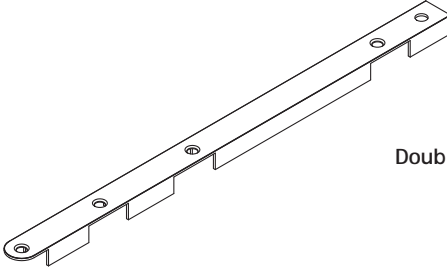
Philips Screwdriver



Hammer

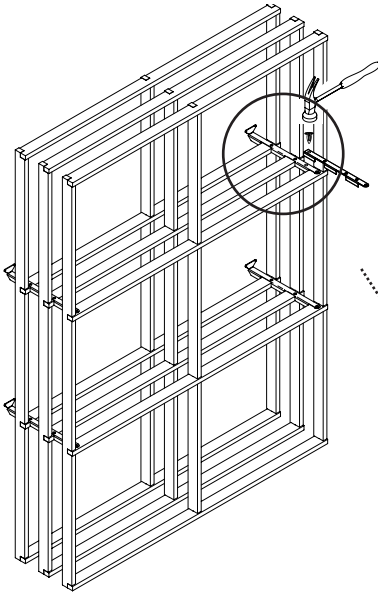


Belly Button x4



Double - Depth Bracket x 4

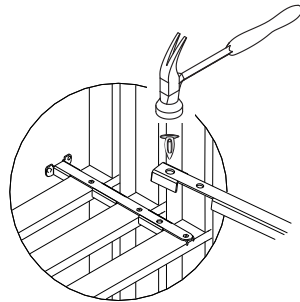
STEP 1



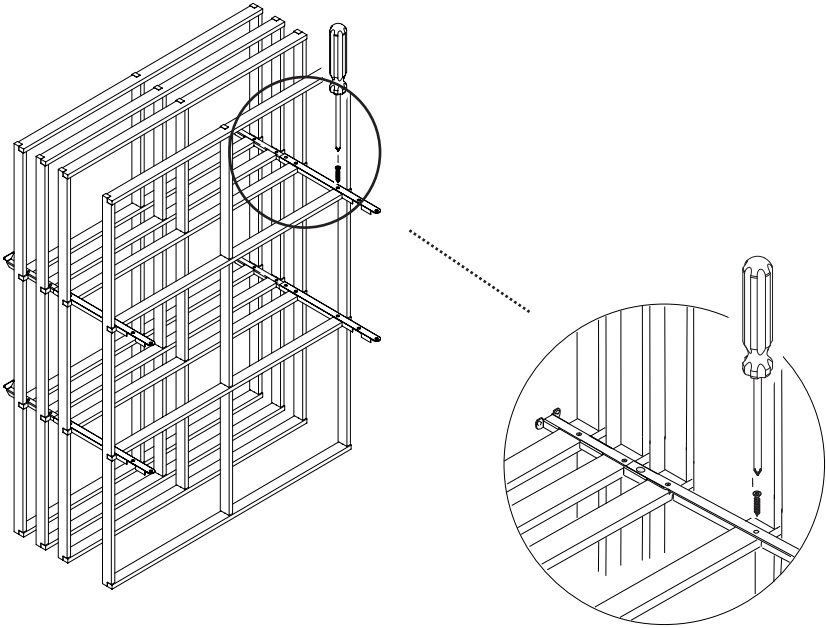
Position Double - Depth Brackets over brackets of first module, as shown. Fasten together by tapping plastic Belly - Button into aligned holes.

FOR EXTRA SAFETY THE 1/2 SCREW CAN BE USED TO FASTEN THE TWO BRACKETS TO THE FRONT BAR.

DO NOT TIGHTEN SCREWS YET !

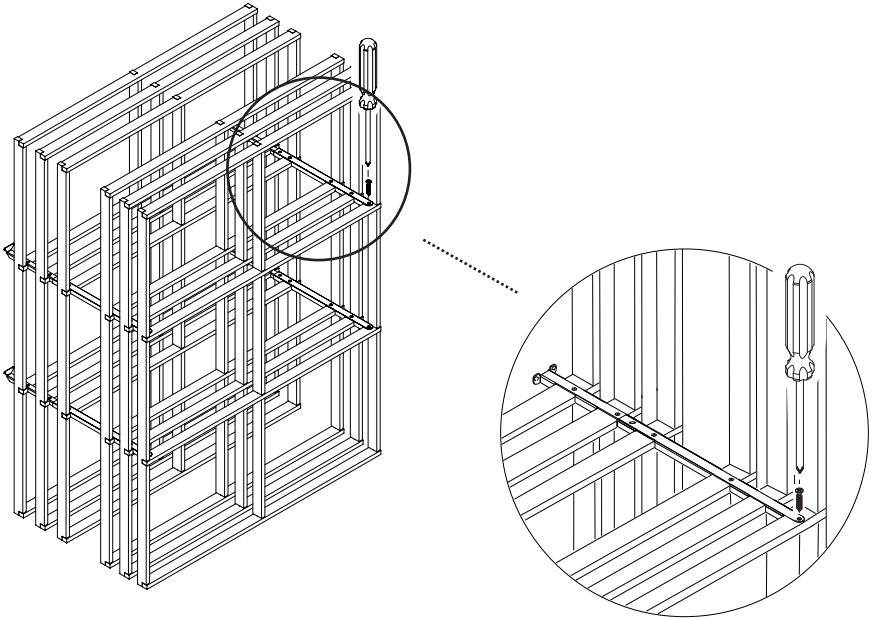


STEP 2



Fasten Double - Depth Brackets to one rack section of front module with 1/2" flat head screws. (Supplied with the rack)

STEP 3



Bring remaining rack section(s) into position, then fasten brackets to front section with 1/2" flat head screws.

TIGHTEN ALL SCREWS !

If installing front module on a Redrack base kit, nail or screw through lower horizontal bars into base, for extra strength and stability.

If installing additional modules side by side, fasten adjoining vertical bars together with screws.