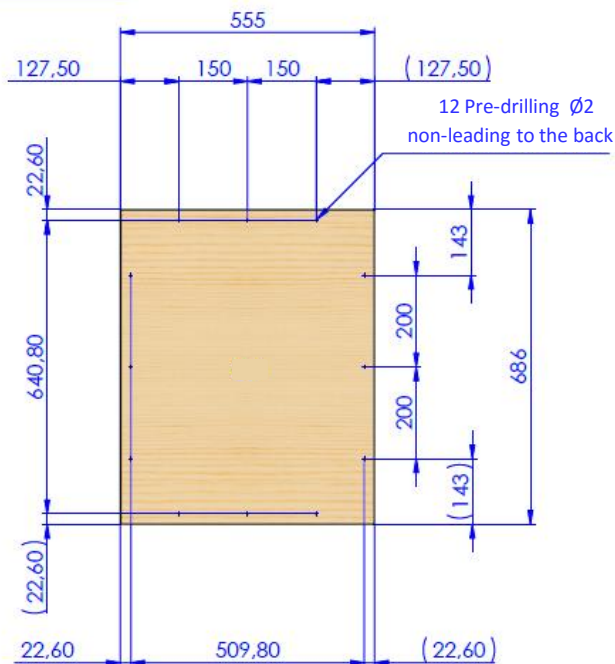


L SIZE

12 Pre-drilling $\varnothing 2$
non-leading to the back



S SIZE

