

PANEL INSTALLATION: HANGER BOLT METHOD

APPLICATIONS

The hanger bolt panel installation method requires custom wood framing and is therefore most suitable for new builds and remodels.

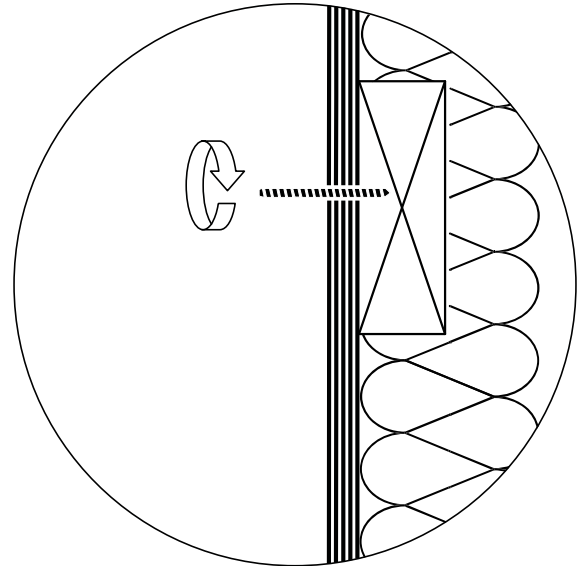
COMPATIBLE PRODUCTS

Nek-Rite
Wine Wall
Beta Bloc

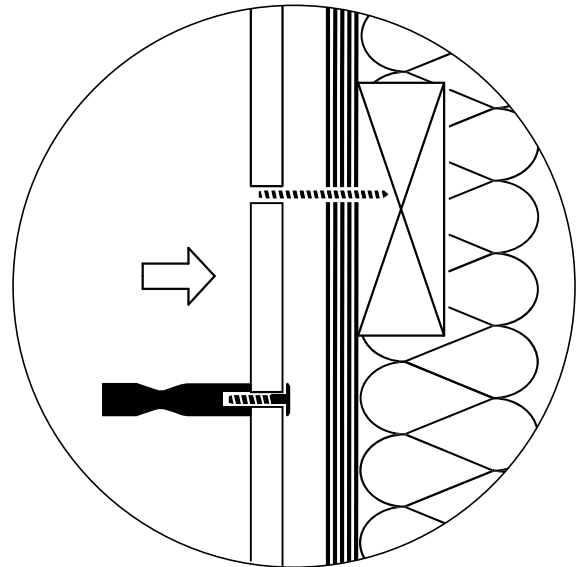
INSTALLATION OVERVIEW

1. Wind hanger bolts into the solid wood blocking. Please contact us if you require assistance with wood blocking placement.
2. Pre-assemble rods on your panel (using either connector bolts or inserts/studs) and suspend panel on the wall from your hanger bolts.
3. Secure the panel by winding the remaining rods on to the hanger bolts.

1.



2.



3.

