

# Z-CLIP INSTALLATION



SUITABLE INSTALLATION FOR COMPLETELY FINISHED SPACES  
COMPATIBLE WITH NEK-RITE, XY AND BETA BLOC

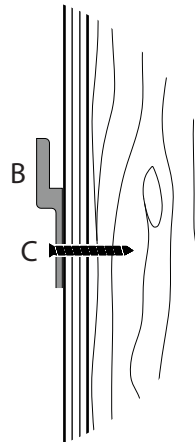
## RECOMMENDED TOOLS

- HAMMER
- DRILL W/ PHILLIPS BIT
- LEVEL

## HARDWARE NEEDED

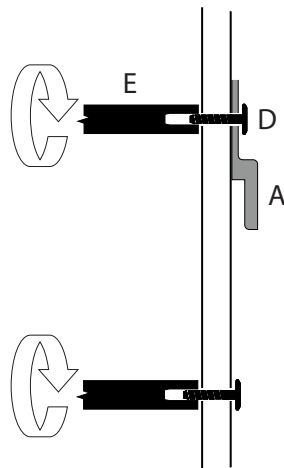


- A - Z-CLIP
- B - Z-CLIP
- C - #8 SCREW
- D - CONNECTOR BOLT
- E - WINEPEG



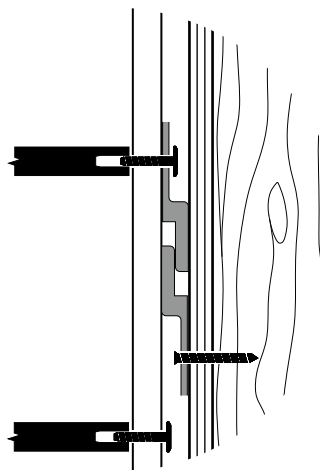
1.

WALL PREPERATION:  
LOCATE STUDS AND PREDRILL YOUR ALUMINUM CLEAT (B). MOUNT CLEAT DIRECTLY ON WALL BY SCREWING (C) THROUGH THE DRYWALL AND DIRECTLY INTO THE STUD.



2.

PANEL PREPERATION:  
FASTEN OTHER HALF OF CLEAT (A) TO FINISHED PANEL USING CONNECTOR BOLT (D) AND ROD (E) THEN FASTEN ALL REMAINING RODS.



3.

MOUNT PANEL BY LIFTING AND LOWERING THE PANEL ONTO THE CLEAT ON THE WALL